

# FUJI ACE

## EC-141 ROBOT PALLETIZER

The EC-141 high speed robot has the most compact footprint in its class. By offering speeds up to 23 cycles per minute while requiring only 4 KVA, places the EC-141 at the forefront of economically sensitive projects while meeting the widest requirements of palletizing applications. This cost effective robot provides the same benefits as our EC-201 but brings "added value" to solutions in projects not requiring higher capacity rates.

This new generation robot provides an ultra quiet operation, improved efficiencies, and maximum flexibility that accompany "high speed" palletizing technology.

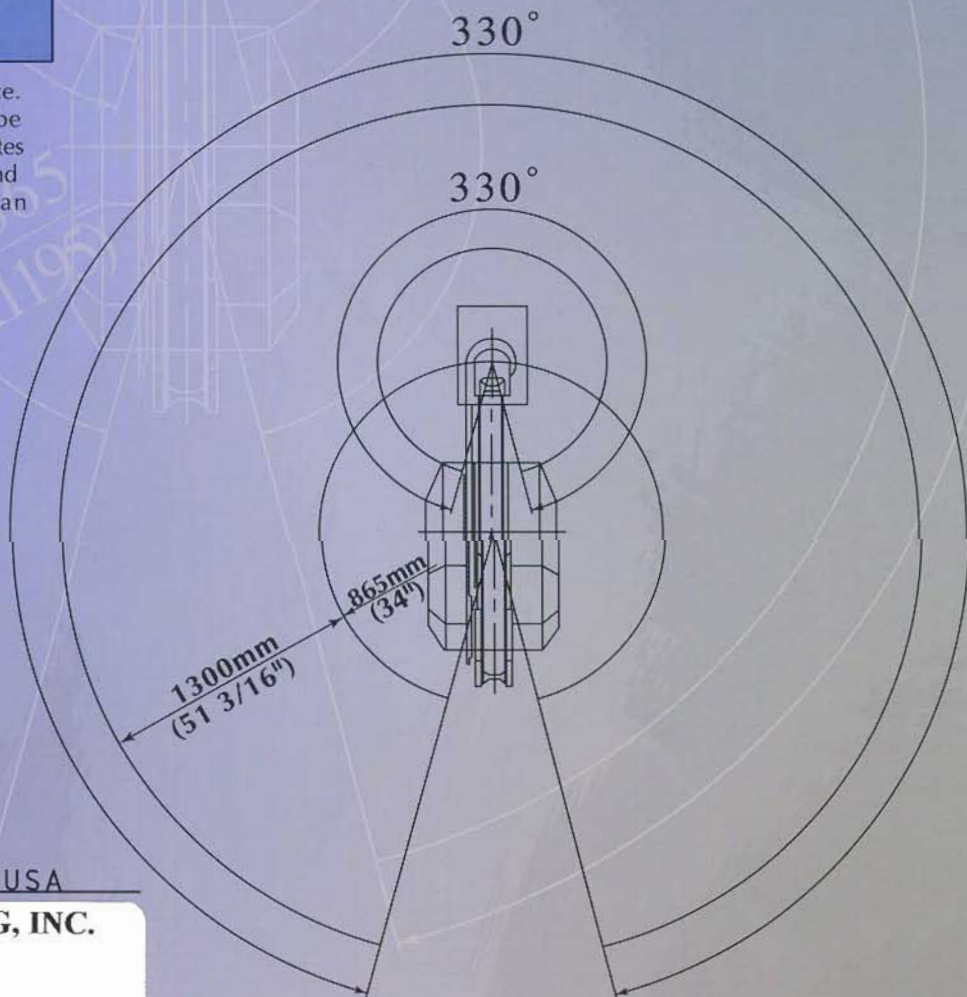
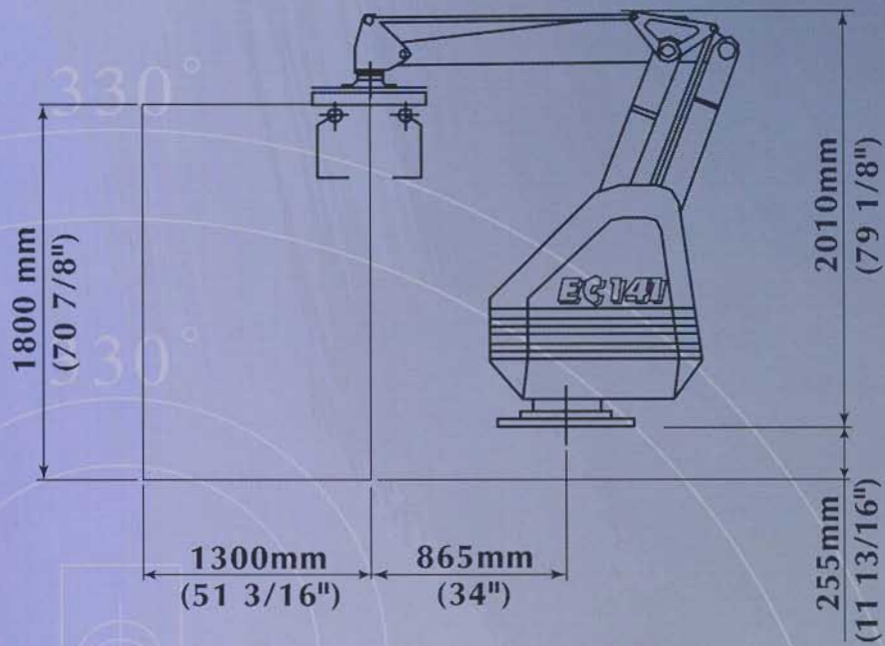


### Advanced Palletizing Technology



# Fuji Ace Technical Specifications

Model	EC-141	
Mechanism	Articulated Robot	
Action Mode	Cylindrical	
Weight Capacity (Including hand)	120 Kg (264 lbs)	
Palletizing Capacity (cycles / hour)	1400 c/hr	
Degree of Freedom	4 Axes	
Operational Space	Z axis (vert.)	1800 mm (70 7/8")
	R axis (long.)	1300 mm (51 3/16")
	$\theta$ axis (turn)	330°
	$\alpha$ axis (wrist)	330°
Hand gripper	Clamp, Fork, Vacuum, Custom Designed	
Memory	30 Recipes	
Teaching Method	Teaching Playback / Teaching Support / Teachingless (Option)	
Power (200/220v 3ph 50/60hz)	4 KVA	
Main Body Weight (without hand)	700Kg (1544 lbs)	



Note: Specifications are subject to change without notice. Capacities as stated above are the maximum that may be achieved by the robot under ideal conditions. Capacity rates can be significantly effected by layouts, product types, and can only be confirmed after a detailed analysis of an application.

## Options

- Cold environment upgrade
- Harsh environment upgrade (stainless steel components)
- Memory program expansion
- Auto reject function
- Simultaneous multi-size product handling (5<sup>th</sup> axis)
- Slipsheet placement
- Pallet placement

Fuji Yusoki Kogyo Co., Ltd. USA



**AMERICAN-NEWLONG, INC.**

5310 S. Harding Street

Indianapolis, IN 46217

Phone: 317-787-9421

Fax: 317-786-5225

email: [newlong@american-newlong.com](mailto:newlong@american-newlong.com)

[www.american-newlong.com](http://www.american-newlong.com)