



American-Newlong, Inc.

5310 S. Harding Street, Indianapolis, IN 46217

Phone: 317-787-9421 • Fax: 317-786-5225

Please fax this completed form back to 317-786-5225

### Fuji-Ace Technical Specifications

Date: \_\_\_\_\_ Fuji Reference No. \_\_\_\_\_

Company Name: \_\_\_\_\_ Your Reference No. \_\_\_\_\_

End User: \_\_\_\_\_

Country where the system will be installed: \_\_\_\_\_

#### 1. Fuji-Ace Application:

Palletizing     Depalletizing     Others \_\_\_\_\_

#### 2. Handling Product

Craft Bags                       PE or PP Bags                       Carton Case  
 Plastic Case                       Wooden Case                       Cardboard Case  
 Can                                       Others \_\_\_\_\_

#### 3. Content of Package

\_\_\_\_\_

#### 4. Product(s) Dimensions and Weight(s)

					<b>Pattern#</b>
1)	_____ W ×	_____ L ×	_____ H ×	_____ Kg	_____
2)	_____ W ×	_____ L ×	_____ H ×	_____ Kg	_____
3)	_____ W ×	_____ L ×	_____ H ×	_____ Kg	_____

**5. Palletizing Patterns**

Please use extra sheets if necessary

1	2	4
4	5	6
7	8	9
10	11	12

**6. Number of Layers and Total Number of Products per Pallet**

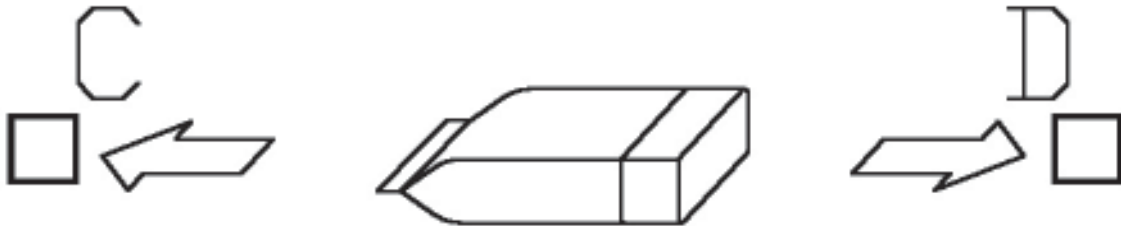
- 1) \_\_\_\_\_ pcs/layer × \_\_\_\_\_ layers = \_\_\_\_\_ pcs/pallet
- 2) \_\_\_\_\_ pcs/layer × \_\_\_\_\_ layers = \_\_\_\_\_ pcs/pallet
- 3) \_\_\_\_\_ pcs/layer × \_\_\_\_\_ layers = \_\_\_\_\_ pcs/pallet

**7. Required Handling Capacity**

Cycles/Hour \_\_\_\_\_

**8. Product(s) Feeding Direction**

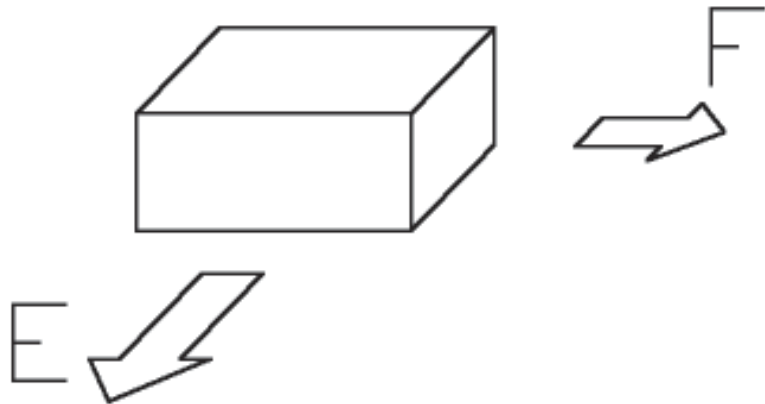
**A. Bag**



Infeed direction (please circle "C" or "D")

Bag Height \_\_\_\_\_ mm

**B. Box**



Infeed direction (please circle E or F)

**9. Layout**

Please fax your plan to 317-786-5225 or email [newlong@american-newlong.com](mailto:newlong@american-newlong.com)

## Pallet Selection

TYPICAL PALLET(S)

PLEASE CIRCLE YOUR PALLET(S)  
AND PROVIDE THE  
APPROPRIATE DIMENSIONS

TYPE 1  
TWO-WAY PALLET

TYPE 2  
FOUR-WAY PALLET

TYPE 3  
REVERSIBLE PALLET

TYPE 4  
WING PALLET

TYPE 5  
CARGO PALLET

TYPE 6  
SINGLE FACE PALLET

TYPE 7  
BLOCK TYPE PALLET

TYPE 8  
BLOCK TYPE PALLET

TYPE 9  
BLOCK TYPE PALLET

Dimensions: (Please specify inches or millimeters)

<p style="text-align: center;">Pallet Type: _____</p> <p>A: _____ D: _____</p> <p>B: _____ E: _____</p> <p>C: _____ F: _____</p>	<p style="text-align: center;">Pallet Type: _____</p> <p>A: _____ D: _____</p> <p>B: _____ E: _____</p> <p>C: _____ F: _____</p>
<p style="text-align: center;">Pallet Type: _____</p> <p>A: _____ D: _____</p> <p>B: _____ E: _____</p> <p>C: _____ F: _____</p>	<p style="text-align: center;">Pallet Type: _____</p> <p>A: _____ D: _____</p> <p>B: _____ E: _____</p> <p>C: _____ F: _____</p>
<p style="text-align: center;">Pallet Type: _____</p> <p>A: _____ D: _____</p> <p>B: _____ E: _____</p> <p>C: _____ F: _____</p>	<p style="text-align: center;">Pallet Type: _____</p> <p>A: _____ D: _____</p> <p>B: _____ E: _____</p> <p>C: _____ F: _____</p>